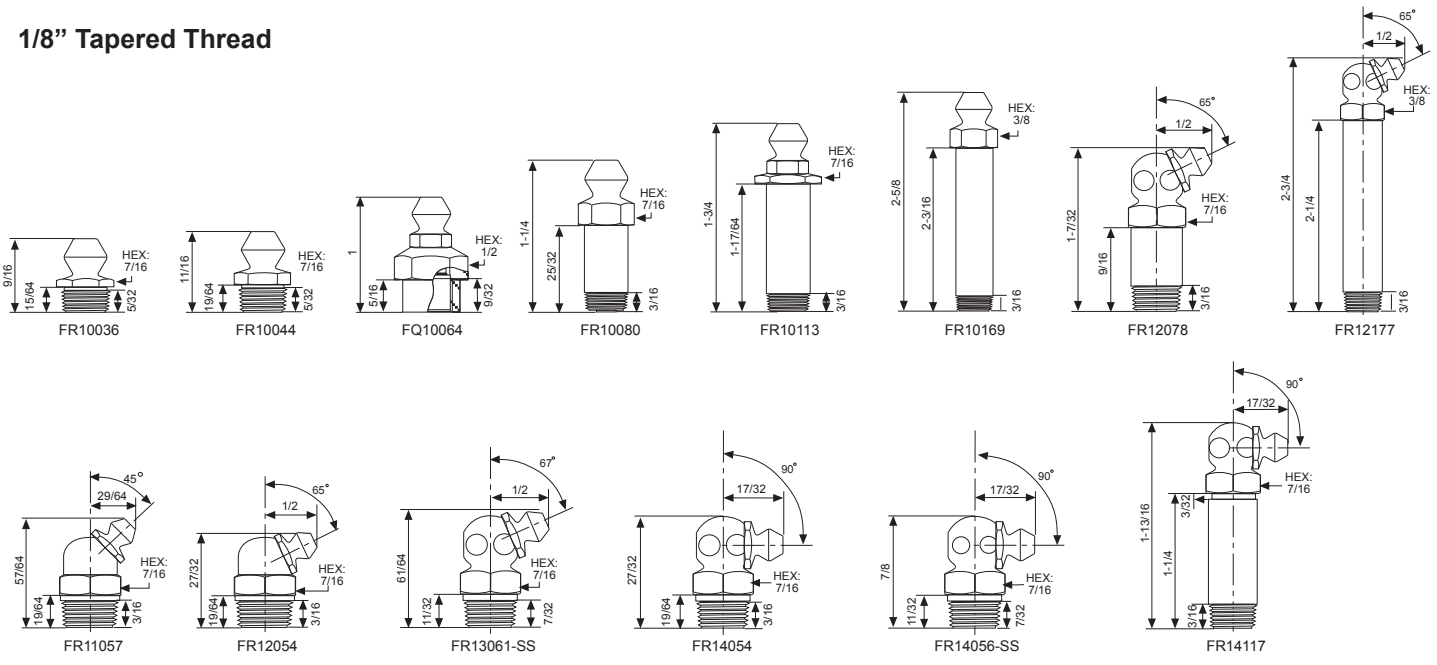
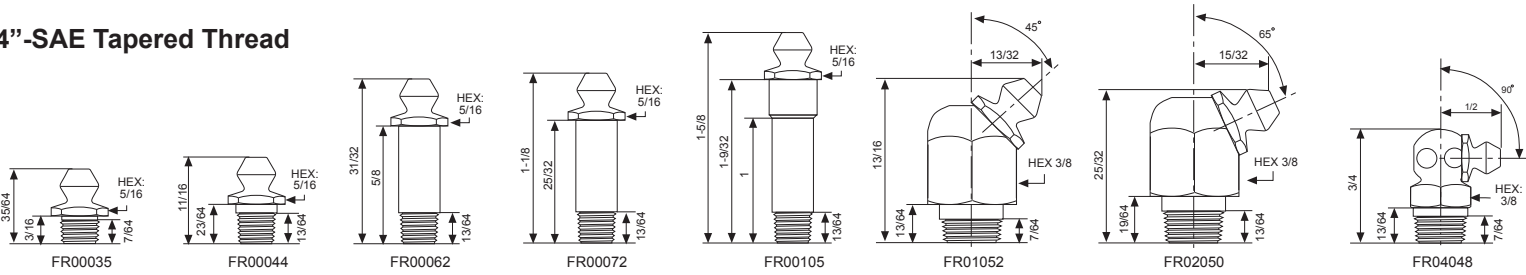


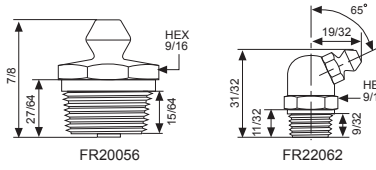
1/8" Tapered Thread



1/4" -SAE Tapered Thread

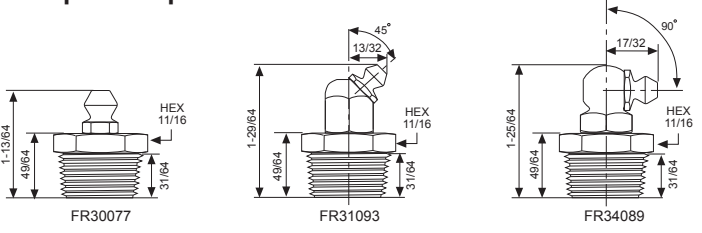


1/4" Tapered Pipe Thread

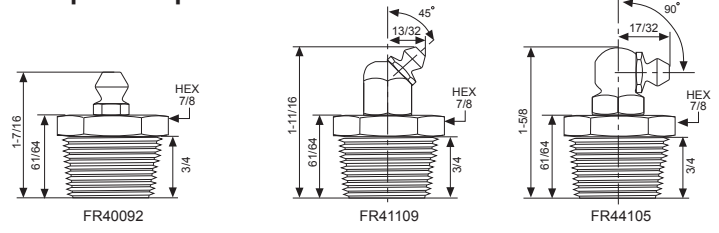


**All dimensions are in inches unless stated otherwise*

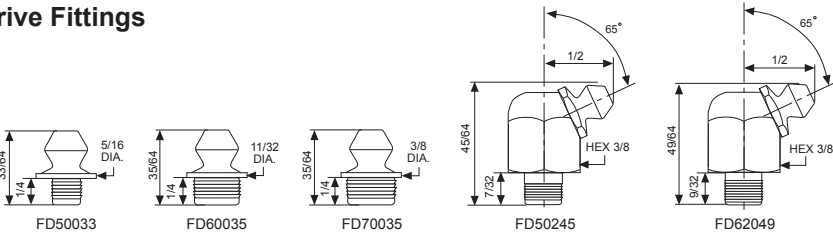
3/8" Tapered Pipe Thread



1/2" Tapered Pipe Thread



Drive Fittings



Flush Fittings

